



**THANK YOU FOR YOUR PURCHASE!**

FOR ANY QUESTIONS PLEASE REACH OUT TO:

[info@cfmotousaparts.com](mailto:info@cfmotousaparts.com)

(845) 5-CFMOTO

(845) 523-6686

9AM-5PM EST Mon-Fri

**OUR FRIENDLY STAFF IS READY TO ASSIST YOU**

# PLEASE READ

## **IMPORTANT NOTE TO CUSTOMER:**

In the CFORCE 400 section of the instructions, they state that six CFConnect quick release bases are required for the CForce 400, but this is incorrect. The two in the center are not needed, only the four corners. After finishing the instructions you will see the locations they are actually needed.

**-CURRENT POWERSPORTS TEAM**

## ACCESSORY SETUP INSTRUCTION

### FRONT CARGO BOX ASSY -- PN: 9DQV-806200-3000

VALID FOR: MY2023 CFORCE 400 & MY2023 CFORCE 500 S/L

**BEFORE YOU BEGIN:** Read and understand the instructions before starting any work. Make sure that all parts are ready and that you have all the tools required for assembly.

**NOTE:** CFMOTO shall not be liable for any damage caused by incorrect assembly. CFMOTO recommends that all original accessories be assembled by an authorized CFMOTO dealer.

Before assembly, park the vehicle on a flat surface, put the transmission gear into Park (P) and turn off the key switch.

**Zhejiang CFMOTO Power Co., Ltd.** All rights reserved. Reproduction of this document, even in part, as well as copying of all kinds, is permitted only with the express written permission of the copyright owner.

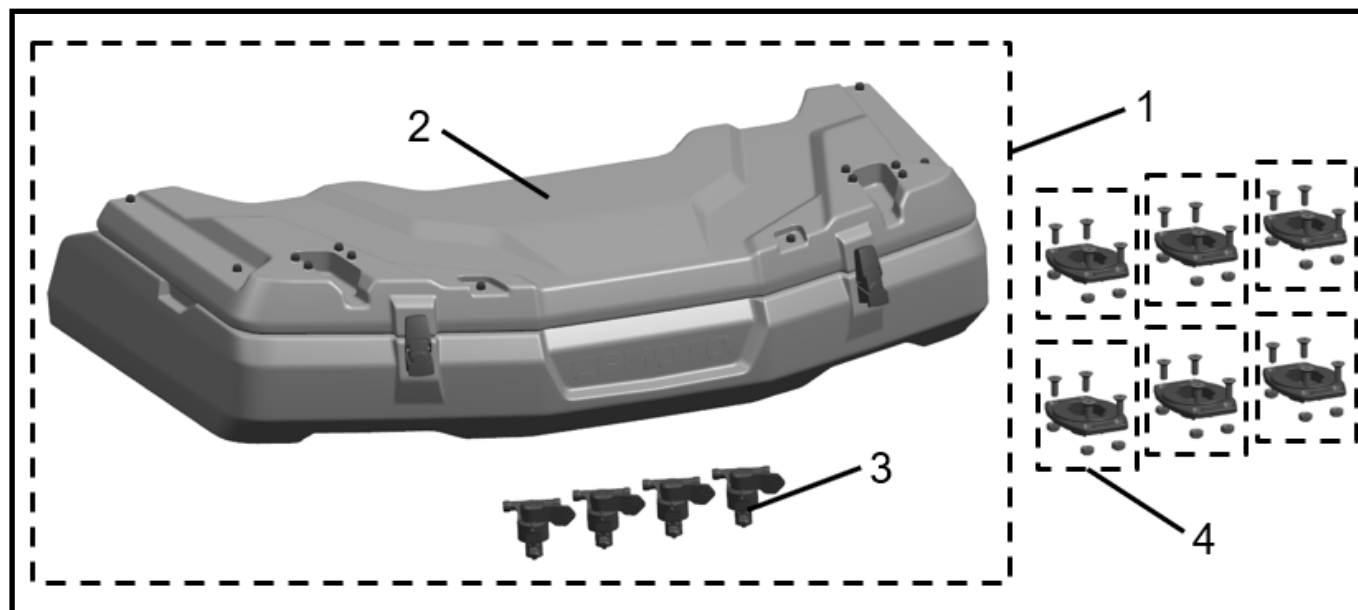
### MEANING OF SYMBOLS

 - Indicates information with more details or tips.

 - Indicate information of warning or danger.

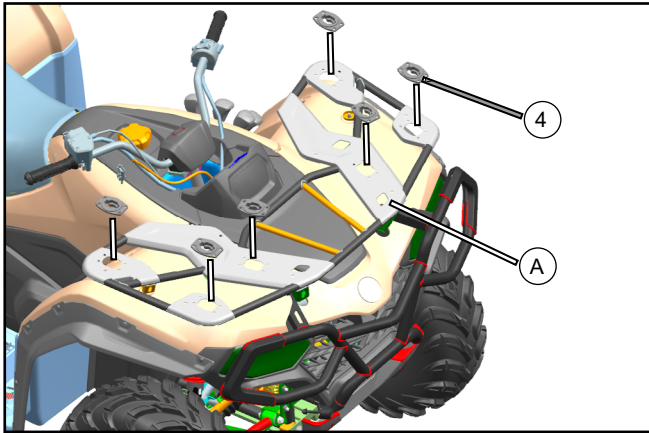
### PARTS LIST:

ITEM	PART NAME	PART NUMBER	QTY.	REMARK
1	FRONT CARGO BOX ASSY	9DQV-806200-3000	1	For structure reference only
2	FRONT CARGO BOX	9DQV-806210-3000	1	
3	CF CONNECT CLAMP, PAIR	9DS#-809000-6000	2	
4	QUICK JOINT SEAT KIT	9DQV-809100-3000	6	Required for CFORCE 400. Purchase separately.



### TOOLS LIST:

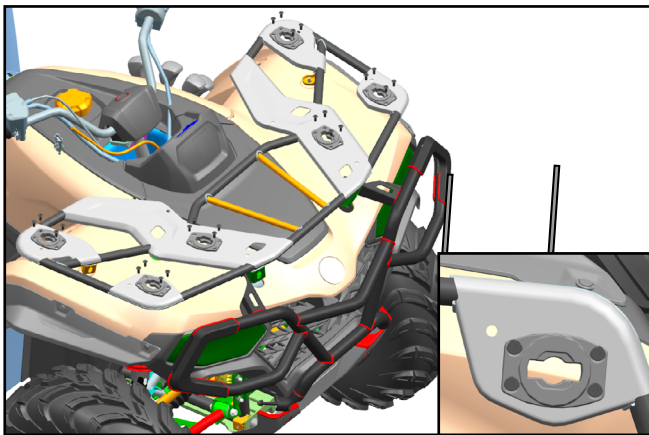
ITEM	PART NUMBER	QTY.	REMARK
1	ALLEN WRENCH, 5mm	1	Recommended Tools
2	ALLEN WRENCH, 4mm	1	
3	PROTECTIVE GLOVES	1	



// **CFORCE 400:**

// Install quick joint seat assemblies (4) on the front rack (A) at the locations shown.

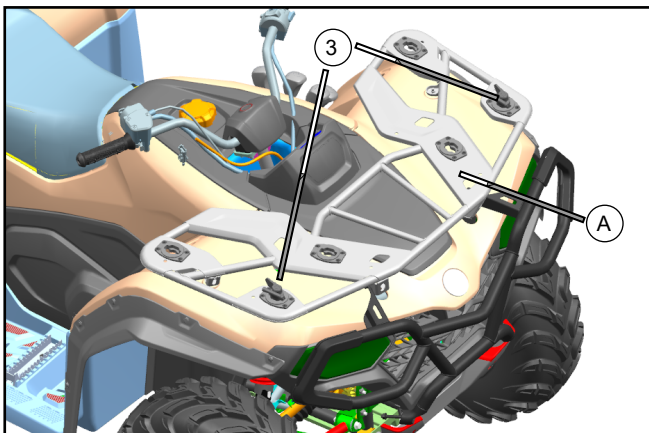
**i** - Quick joint seat assembly installation is required for the front rack assembly of the CFORCE 400.



// **CFORCE 400:**

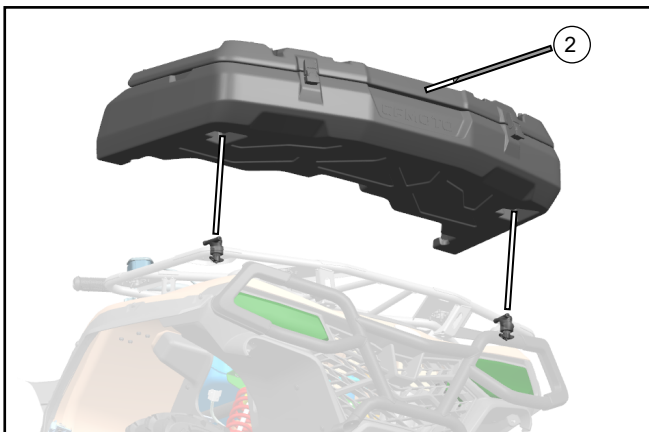
// Secure each of the quick joint seat assemblies with the supplied bolts and nuts as shown.

**i** - Quick joint seat assembly installation is required for the front rack assembly of the CFORCE 400.

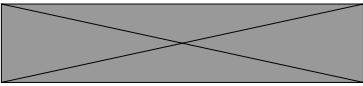


// Install two CF Connect clamps (3) on the front rack (A) at the locations shown, then secure them by turning the lock lever clockwise.

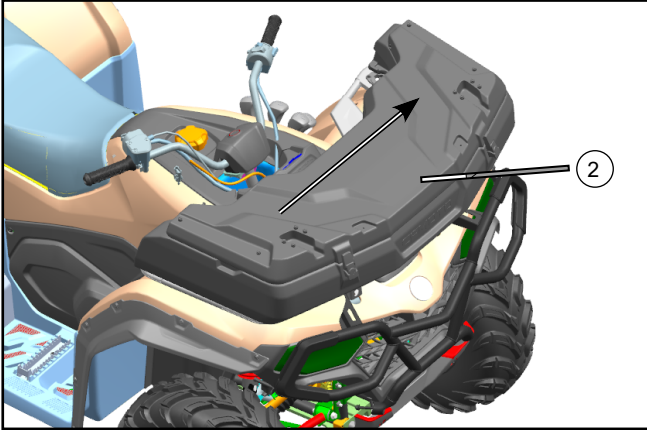
**i** - Pay attention to the installation direction of the connect clamps, it should be the same as shown in the picture.



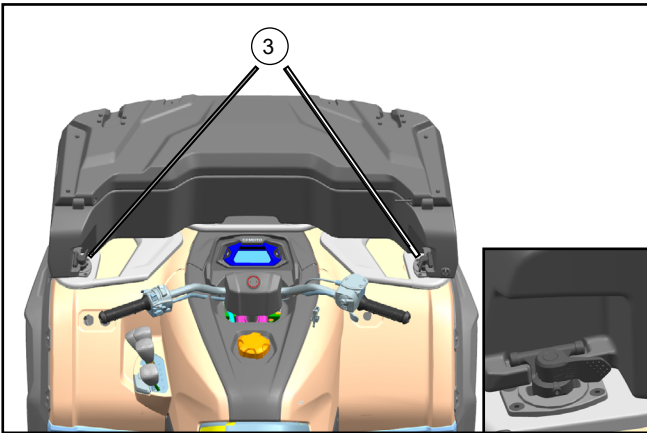
// Align the slots of the front cargo box (2) to the CF Connect clamps, and set it into position on the cargo rack.



## ASSEMBLY and INSTALLATION



// Push the cargo box (2) in the direction of the arrow shown to lock it in place .



// Install two CF Connect clamps at the locations shown, then secure them and the cargo box by turning the lock lever clockwise.