



**THANK YOU FOR YOUR PURCHASE!**

FOR ANY QUESTIONS PLEASE REACH OUT TO:

[info@cfmotousaparts.com](mailto:info@cfmotousaparts.com)

(845) 5-CFMOTO

(845) 523-6686

9AM-5PM EST Mon-Fri

**OUR FRIENDLY STAFF IS READY TO ASSIST YOU**

## ACCESSORY SETUP INSTRUCTION

### REAR BUMPER ASSY -- PN 9DQV-801300-3000

VALID FOR: CFORCE 400 & 400 TOURING 500 & 500 TOURING


**BEFORE YOU BEGIN:** Read and understand the instructions before starting any work. Make sure that all parts are ready and that you have all the tools required for assembly.


**NOTE:** CFMOTO shall not be liable for any damage caused by incorrect assembly. CFMOTO recommends that all original accessories be assembled by an authorized CFMOTO dealer.

Before assembly, park the vehicle on a flat surface, put the transmission gear into Park (P) and turn off the key switch.

**Zhejiang CFMOTO Power Co., Ltd.** All rights reserved. Reproduction of this document, even in part, as well as copying of all kinds, is permitted only with the express written permission of the copyright owner.

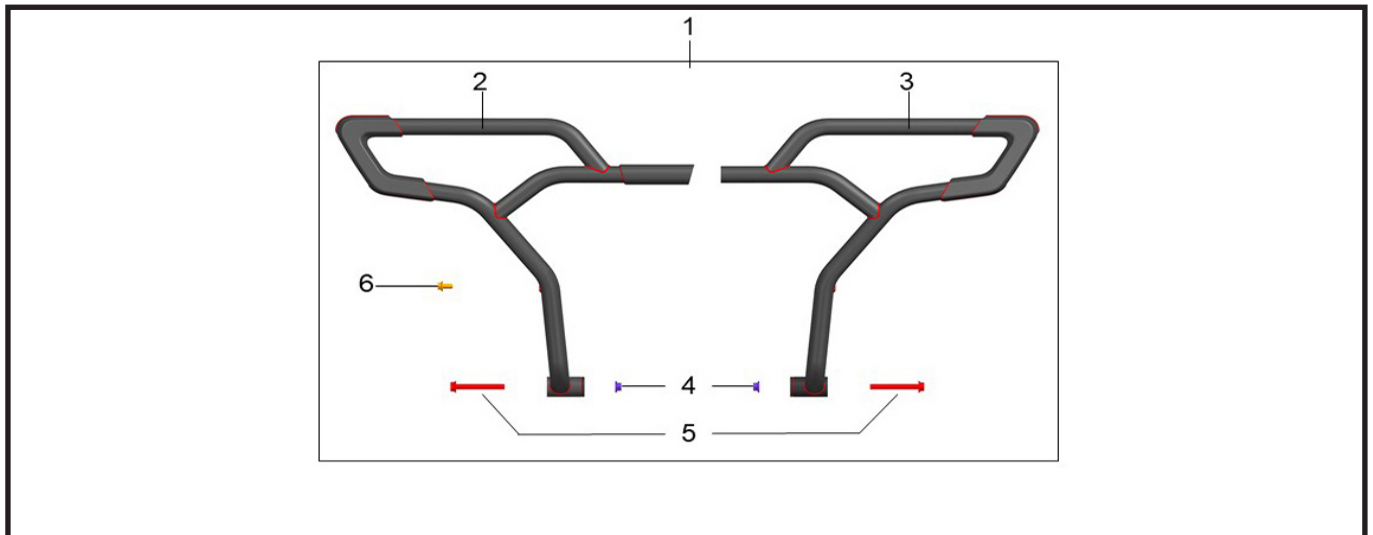
### MEANING OF SYMBOLS

 - Indicates information with more details or tips.

 - Indicates information of warning or danger.

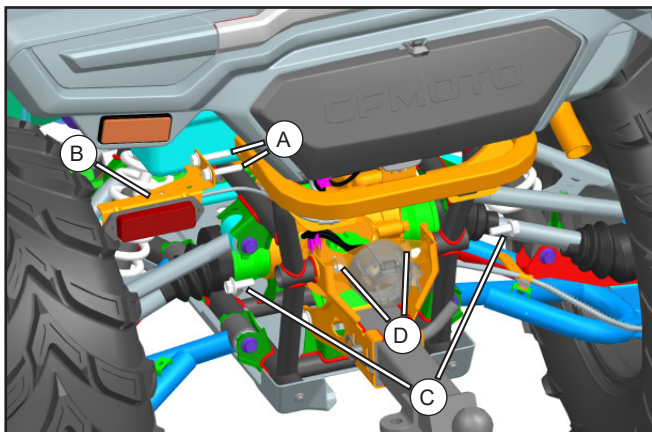
### PARTS LIST:

| ITEM | PART NAME               | PART NUMBER         | QTY. | REMARK                                   |
|------|-------------------------|---------------------|------|--|
| 1    | REAR BUMPER ASSY        | 9DQV-801300-3000    | 1    | Picture is for structure reference only. |
| 2    | LH BRACKET, REAR BUMPER | 9DQV-801310-3000    | 1    |  |
| 3    | RH BRACKET, REAR BUMPER | 9DQV-801320-3000    | 1    |  |
| 4    | NUT M10                 | 9DQV-801300-3000-24 | 2    |  |
| 5    | BOLT M10×80             | 9DQV-801300-3000-23 | 2    |  |
| 6    | BOLT M8×16              | 9DQV-801300-3000-22 | 2    |  |

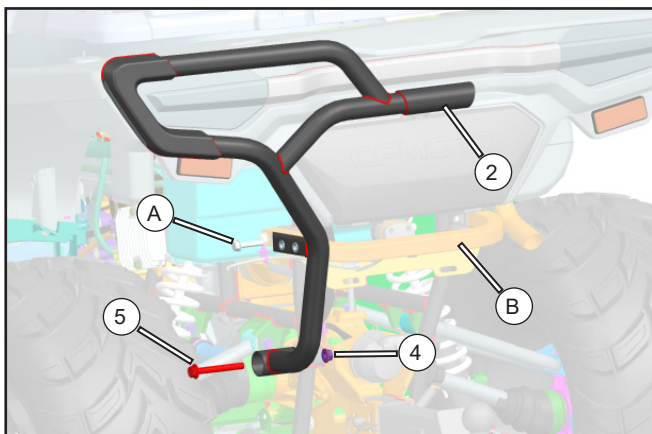


### TOOL LIST:

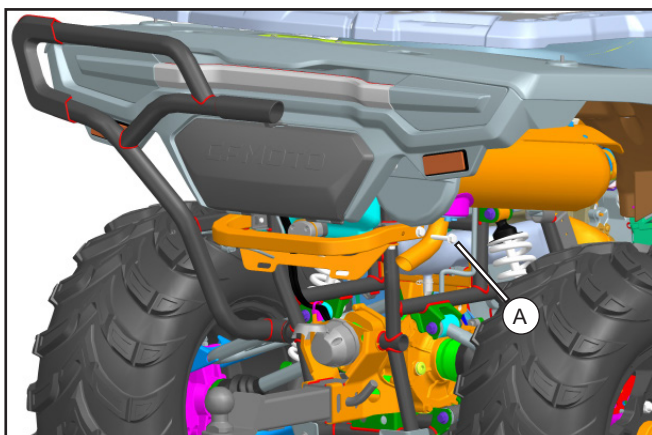
| ITEM | DESCRIPTION           | QTY. | REMARK             |
|------|-----------------------|------|--------------------|
| 1    | PROTECTIVE GLOVES     | 1    | Recommended tools. |
| 2    | 13mm T-SOCKET         | 1    |                    |
| 3    | RATCHETING BOX WRENCH | 1    |                    |
| 4    | 13mm OPEN END WRENCH  | 1    |                    |
| 5    | 15mm OPEN END WRENCH  | 1    |                    |
| 6    | 15mm EXTENSION SOCKET | 1    |                    |

**ASSEMBLY and INSTALLATION**


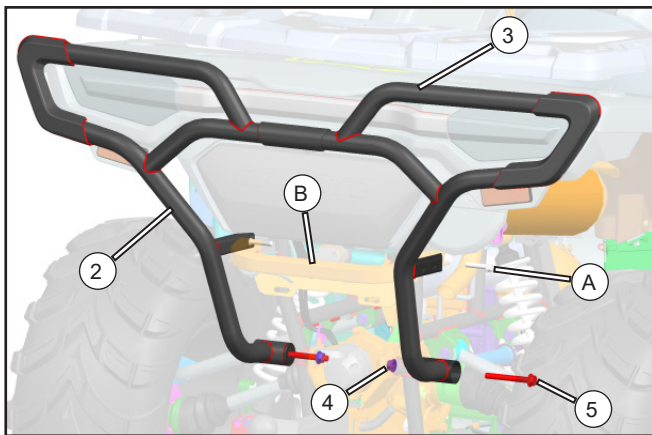
// Unscrew the bolts (A) and temporarily remove the fog light bracket (B). Then remove the bolts (C) and nuts (D).



// Position the rear bumper left bracket (2) on the left side of the rear and secure it to the frame with bolt (5) and nut (4). *Do not fully tighten at this time.*  
 // Secure it to the square tube (B) with bolt (A), tighten bolt (5) and bolt (A).

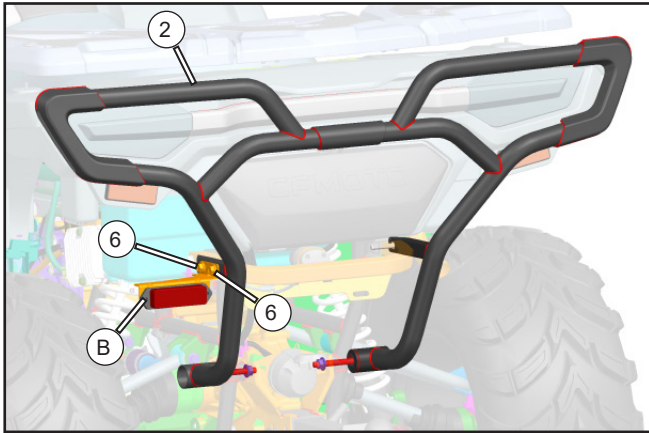


// Remove the bolt (A).

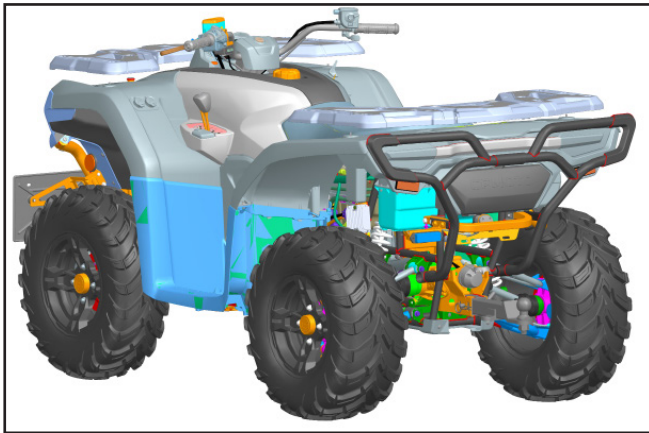


// Position the rear bumper right bracket (3) on the right side of the rear and secure it to the frame with bolt (5) and nut (4). *Do not fully tighten at this time.*  
 // Secure it to the square tube (B) with bolt (A), tighten bolt (5) and bolt (A).

**ASSEMBLY and INSTALLATION**



// Secure the fog light bracket (B) to rear bumper left bracket (2) with bolts (6).



// The rear bumper is assembled.