



THANK YOU FOR YOUR PURCHASE!

FOR ANY QUESTIONS PLEASE REACH OUT TO:

info@cfmotousaparts.com

(845) 5-CFMOTO

(845) 523-6686

9AM-5PM EST Mon-Fri

OUR FRIENDLY STAFF IS READY TO ASSIST YOU

PLEASE READ

IMPORTANT NOTE TO CUSTOMER:

In the CFORCE 400 section of the instructions, they state that six CFConnect quick release bases are required for the CForce 400, but this is incorrect. The two in the center are not needed, only the four corners. After finishing the instructions you will see the locations they are actually needed.

-CURRENT POWERSPORTS TEAM

ACCESSORY SETUP INSTRUCTION

PLASTIC BASKET ASSY - PN 9DQV-802100-3000

VALID FOR: MY2022 (late build) and newer CFORCE 400 & CFORCE 500

BEFORE YOU BEGIN: Read and understand the instructions before starting any work. Make sure that all parts are ready and that you have all the tools required for assembly.

NOTE: CFMOTO shall not be liable for any damage caused by incorrect assembly. CFMOTO recommends that all original accessories be assembled by an authorized CFMOTO dealer.

Before assembly, park the vehicle on a flat surface, put the transmission gear into Park (P) and turn off the key switch.

Zhejiang CFMOTO Power Co., Ltd. All rights reserved. Reproduction of this document, even in part, as well as copying of all kinds, is permitted only with the express written permission of the copyright owner.

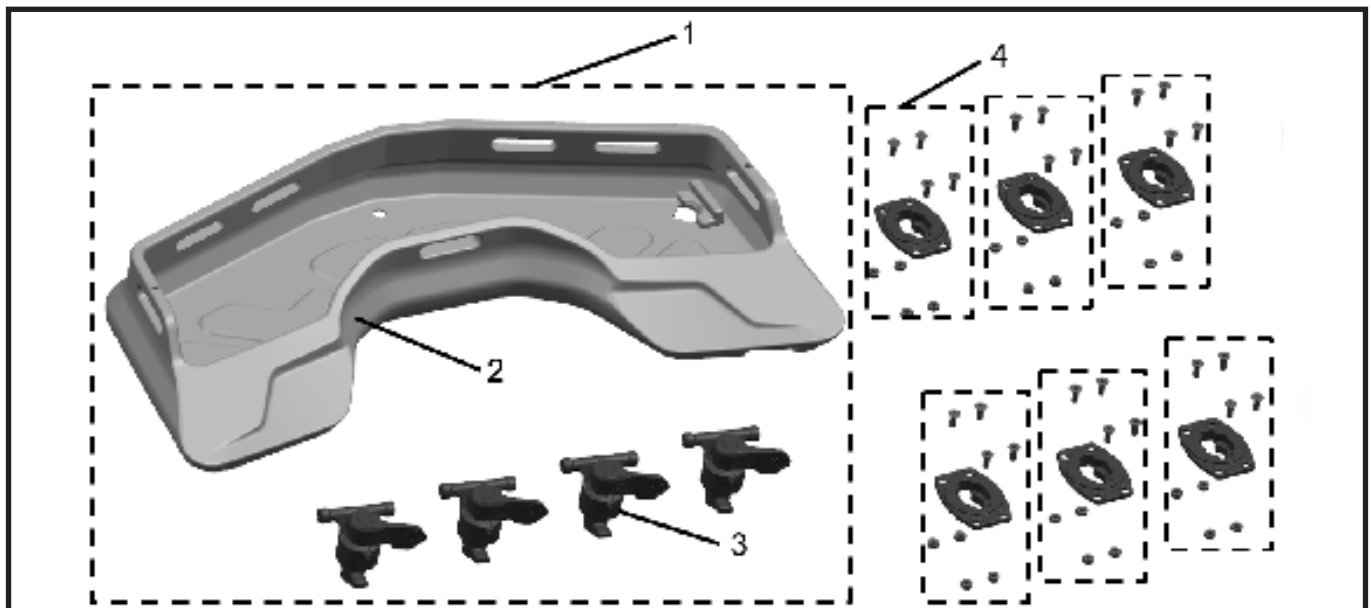
MEANING OF SYMBOLS

i - Indicates information with more details or tips.

! - Indicates information of warning or danger.

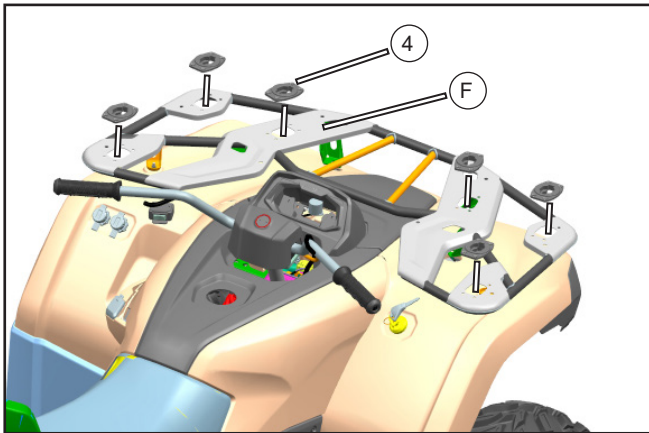
PARTS LIST:

ITEM	PART NAME	PART NUMBER	QTY.	REMARK
1	PLASTIC BASKET ASSY	9DQV-802100-3000	1	For structure reference only.
2	PLASTIC BASKET	9DQV-802101-3000	1	
3	CF CONNECT CLAMP	9DS#-809000-6000	4	
4	QUICK RELEASE BASE ASSY	9DQV-809100-3000	6	For CFORCE 400 only. Purchased separately.



TOOL LIST:

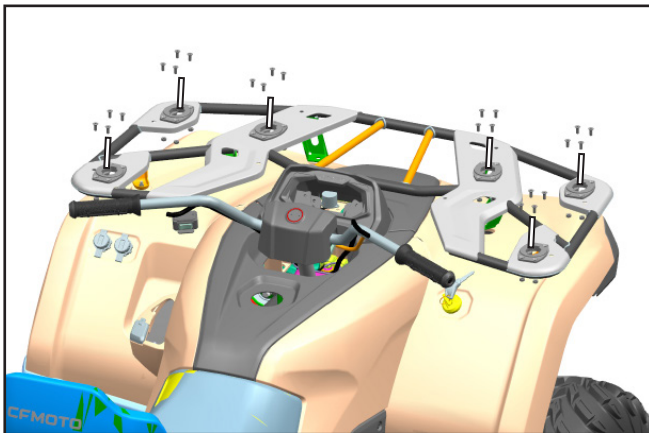
ITEM	DESCRIPTION	QTY.	REMARK
1	PROTECTIVE GLOVES	1	Recommended tools. Not included in accessory material.
2	5mm ALLEN WRENCH	1	
3	4mm ALLEN WRENCH	1	

ASSEMBLY and INSTALLATION


CFORCE 400:

// Install 6 quick release base assemblies (4) on the front rack (F) as shown.

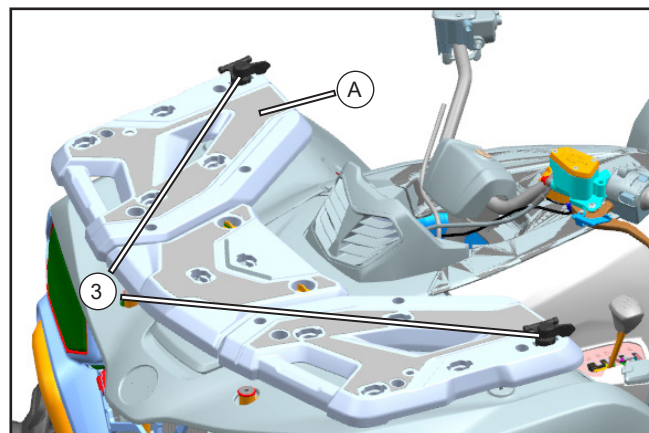
i - CFORCE 400 Only. Base assemblies are purchased separately.



CFORCE 400:

// Install the screws and bolts to secure the quick release base assemblies.

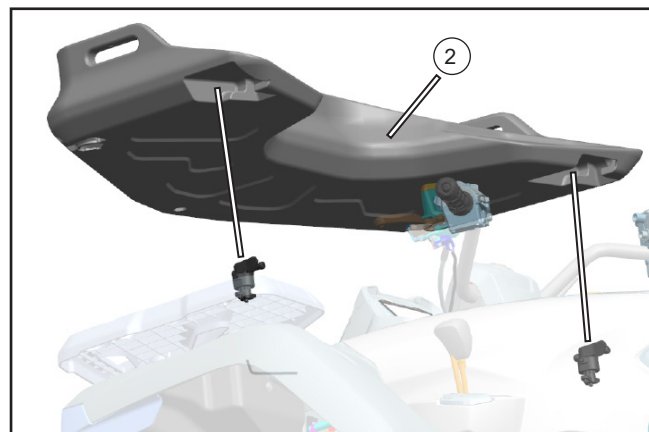
i - CFORCE 400 Only. Base assemblies are purchased separately.



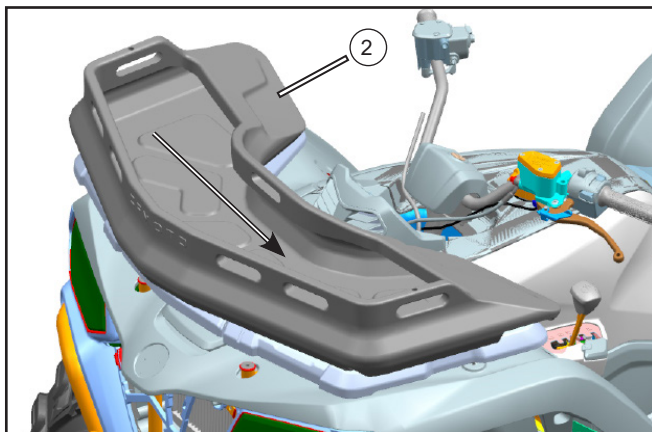
CFORCE 400 and 500:

// Install 2 CF connect clamps (3) at rack position (A) as shown, then turn the levers counter-clockwise to lock them.

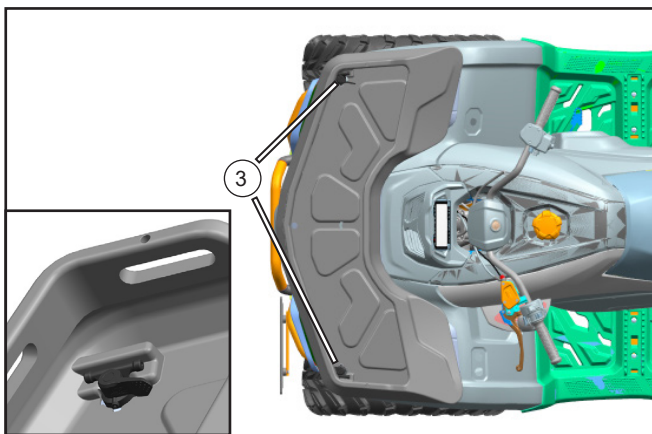
i - Install the clamps opposite each other as shown.



// Align the rear locking grooves of plastic basket (2) over the installed CF Connect Clamps and set it into place.



// Push the plastic basket (2) along the direction shown in the image to lock the basket to the rear clamps.



// Install the final 2 CF Connect Clamps (3) into the assembly position as shown, then turn the levers counter-clockwise to lock the basket into place.

// The installation is complete.

i - Install the clamps opposite each other as shown.